

**Modular Cooking Range Line
EVO900 Electric Grill Top HP
400mm**

ITEM # _____

MODEL # _____

NAME # _____

SIS # _____

AIA # _____



**Modular Cooking Range Line
EVO900 Electric Grill Top HP 400mm**

392346 (Z9GREDGS0P) Electric grill top, half module - HP

Short Form Specification

Item No. _____

Heating via incoloy armoured heating elements positioned under the cooking grid. Cooking surface grids are easily removable for cleaning. Heating elements can be tilted. Integrated water tap. Fixed well with drain. Extra strength work top in heavy duty 2 mm stainless steel. Right-angled side edges to allow flush-fitting junction between units.

Main Features

- Incoloy armoured heating elements positioned under the cooking grid.
- Each bank of elements has an independent power regulation through a control knob.
- Power indicator light.
- Fixed well with drain to collect residual cooking juices and grease.
- Large drain protected by overflow and filter.
- Water must be added to well before operation.
- Led warning indicator to give an alarm when well is empty.
- Water filling tap with knob control.
- Removable stainless steel deflectors to recuperate heat and reduce cooking time.
- Stainless steel splash guards on sides of cooking surface. Splash guards can be easily removed for cleaning.
- Top configuration allows installation on ambient base or refrigerated/freezer base.
- Heating elements tilt 90° for easy cleaning.
- Removable 2mm thick steel U-shaped grids for fast heating of cooking surface.

Construction

- Unit is 900mm deep to give a larger working surface area.

Included Accessories

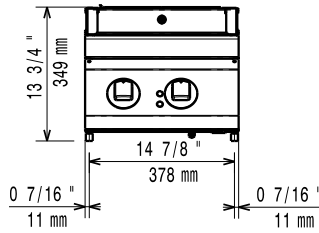
- 1 of Scraper for HP electric grill PNC 206436

Optional Accessories

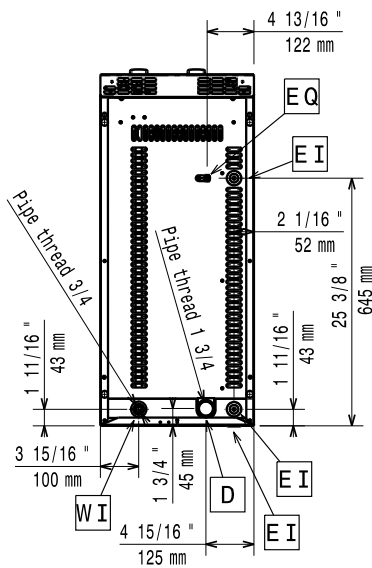
- Junction sealing kit PNC 206086
- Support for bridge type installation, 800 mm PNC 206137
- Support for bridge type installation, 1000 mm PNC 206138
- Support for bridge type installation, 1200 mm PNC 206139
- Support for bridge type installation, 1400 mm PNC 206140
- Support for bridge type installation, 1600 mm PNC 206141
- 2 supports runners for open base 400 mm for GN1/1 PNC 206145
- Support for bridge type installation, 400 mm PNC 206154
- Side handrail for right/left hand PNC 206165
- Frontal handrail 400 mm PNC 206166
- Frontal handrail 800 mm PNC 206167
- Large handrail (portioning shelf) 400 mm PNC 206185
- Large handrail (portioning shelf) 800 mm PNC 206186
- Frontal handrail 1200 mm PNC 206191
- Frontal handrail 1600 mm PNC 206192
- 2 side covering panels, height 250 mm, depth 900 mm PNC 206321
- Scraper for HP electric grill PNC 206436
- Drain extension for electric grill HP PNC 206437

APPROVAL: _____

Front

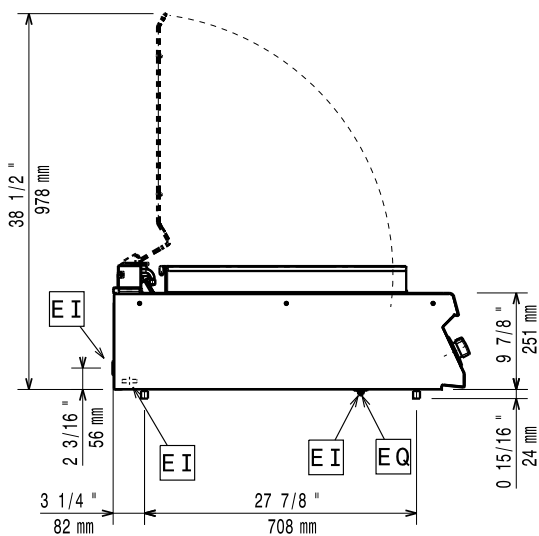


Top



- D** = Drain
- EI** = Electrical connection
- EQ** = Equipotential screw
- F** = Fumes outlet

Side



Electric

Supply voltage:	392346 (Z9GREDGS0P)	415 V/3N ph/50/60 Hz
Electrical power max.:		5.8 kW
Predisposed for:		400-415V 3N~ 50/60Hz 5,4-5,8kW

Key Information:

Cooking surface width:	345 mm
Cooking surface depth:	598 mm
External dimensions, Height:	250 mm
External dimensions, Width:	400 mm
External dimensions, Depth:	900 mm
Net weight:	52 kg
Shipping weight:	75 kg
Shipping height:	400 mm
Shipping width:	500 mm
Shipping depth:	1020 mm
Shipping volume:	0.204 m ³

If appliance is set up either next to or against temperature sensitive furniture or similar, a safety gap of approximately 150 mm should be maintained or some form of heat insulation fitted.